

# Protek Palisade

## Metal Palisade Fencing System

**Stronger and more cost-effective than traditional Palisade systems, the Protek Palisade system is designed to provide a high-level boundary fence which meets BS 1722 Part 12.**

This system comprised of 3 main components, all of which are based on standard Palisade fencing, but have been significantly improved through research and testing.

Protek Palisade does not require centre supports as included with Palisade systems, and also has a greater strength to weight ratio.



### Applications

- Industrial and commercial premises
- Fuel, Gas & LPG installations
- Research laboratories
- Data centres
- Sewage and water treatment plants
- Railways and motorways
- Police stations and courts



Round Top & Notched



Triple Pointed

### Specification

Nominal Fence Height (m)	Length of Pale (mm)	Top Hole to Top of Pale (mm)	Rail Centres (mm)	Bottom Hole to Bottom of Pale (mm)	Post Size (mm)	Post in Ground* (mm)
1.8	1,750	225	1,375	150	50 x 115	525
2.0	1,950	275	1,475	200	50 x 115	600
2.1	2,050	275	1,575	200	50 x 115	625
2.4	2,350	300	1,840	210	50 x 115	725
3.0	2,950	475	2,095	380	50 x 115	850

\* For concrete in posts only. All posts are available to special manufacture with base plates cranked or face-fix as an option. For all fence heights the ground clearance for the bottom of the pale should be 50mm.

Data subject to change

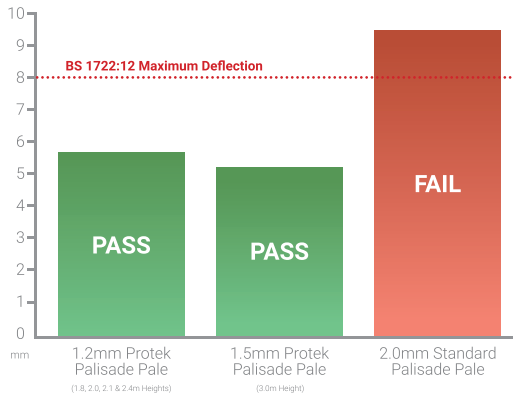
# Protek Palisade

## DATASHEET

Version 1.2 | 06-24

### Pale Deflection Testing

To meet BS 1722:12:2016, the maximum deflection at the middle of the 600mm span under a test load of 2.5kN shall not exceed 8mm.

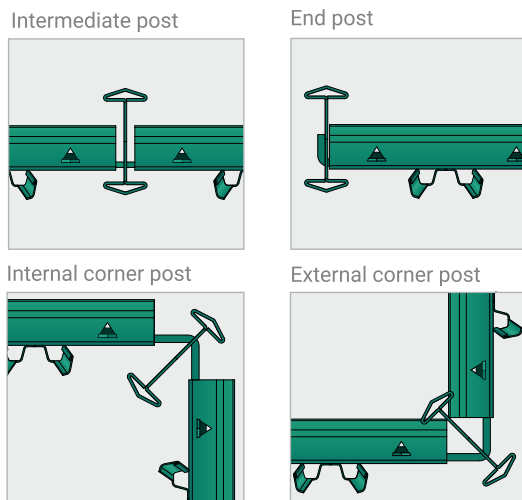


Protek Palisade pales deflect less than standard palisade pales while using less material.

*Simulated on Solidworks 2017. Simulations simplified by applying restraints and forces directly on the part.*

### Posts and Fixings

The posts and fixings that are offered provide a fixing system which secures the pales but allows for variations. The system is easy to install and allows the rails and pales to be raked, helping the fence line to follow the contours of the ground.



Harrow Fencing Supplies Ltd, 79/89 Greenford Road, Harrow, Middx. HA1 3QF

[www.harrowfencing.com](http://www.harrowfencing.com) | 020 8138 0245

Protek is a registered trademark of Alexandra Security Ltd

*While care has been taken to ensure that all information provided on this data sheet is accurate, we reserve the right to change product specifications at any time. E&OE.*

### Product Technical Information

- ProPale:**
  - Available with Round Top & Notched (1.8m only), and Triple Pointed (all sizes) head options.
  - Thickness: 1.2mm (1.8/2.0/2.1/2.4m) / 1.5mm (3.0m)
  - M8 x 25 bolt with tamper proof shear nut.
  - Safe return edge.
  - No. of pales per bay: 17
- ProRail:**
  - Length: 2750mm / 17 Holes
  - Dimensions: 60 x 49mm / 3mm thick
  - Anti-grab tags (top rail only)
  - Sloped aris rails to minimise foothold
  - Rail return protects underneath of bolt
- ProPost:**
  - Dimensions: 50 x 115mm
  - Slotted to fit standard link plates
  - M12 x 30 bolt with tamper proof shear nut
  - Pierced at bottom of post to key into concrete
  - Standard posts are dig-in, with base plated posts available as an option
  - Base-plated (flush to front, back or centrally) available as special order for installation onto concrete and other hard surfaces.

### Product and Finish Standards

- Finish is either hot dip galvanised to BS EN ISO 1461 or galvanised and polyester powder coated to BS EN 13438.
- RAL colours available as special order.

